

NEW EUROPE SALES MANAGER

In order to enhance our support to European customers, we have setup an office in Germany.



- Our Europe Sales Manager, **Ms. Lizzie LEVENEZ**, is based in Frankfurt am Main, Germany.
- She is an efficient link between German or English speaking customers and System Plus Consulting engineers and experts.
- Lizzie will welcome you at every European Trade Show attended by System Plus Consulting or organize specific meetings at your premises.

EXHIBITIONS & EVENTS

We will participate in more than 10 events in 2012. Upcoming Rendez-vous:

SEMICON
West2012 | July 10-12, 2012
San Francisco, USA

Micromachine
MEMS | July 11-13, 2012
Tokyo, Japan

During the second half of 2012, we can also welcome you at:

- PVSEC – Frankfurt, Germany : September 24 to 28
- Semicon Europa- Dresden, Germany: October 9 to 11
- Electronica – Munich, Germany: November 13 to 16

TECHNOLOGY ANALYSIS

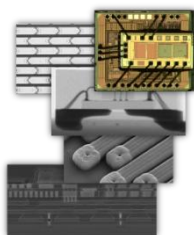
With increasing demand for technology analysis, our laboratory is now a key element of the company.



- Graduated from Nantes University, **Maher Sahmimi** has joined us a few months ago. He is in charge of cost analysis of various devices, from MEMS to LEDs and integrated circuits.
- Maher is also an active member of our laboratory staff.

NEW STANDARD REPORTS

During the first six months of 2012 System Plus Consulting has published a new set of reports.

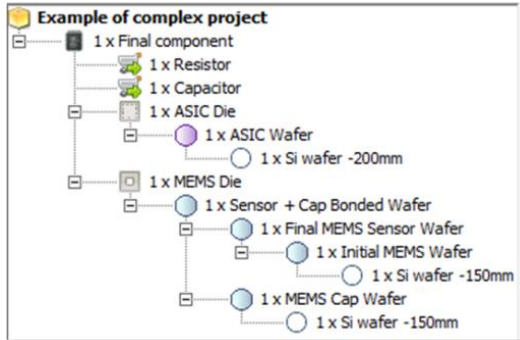


- Among Reverse Costing analysis reports released since January 2012:
- 9 reports focused on Camera Modules with CMOS image sensors,
 - 3 reports focused on new LED,
 - and reports on MEMS emerging technologies: RF antenna tuner, Mirasol display, MTJ magnetometer.

A list of the reports published since 2009 is available [here](#).

NEW COSTING TOOLS

The new generation of COSIM+ Tools is ready for delivery.



- Available for **MEMS**, **Power** devices, **LEDs** and advance **packaging**.
- Complex devices, with multiple dies, can be simulated in a single project.
- Libraries of operations, sequences and process are available for a quick process flow setup.
- And many other new functions and results sheets.

IC PRICE+ USER'S MEETING

The first IC Price + Users meeting was held on April 11th in Paris.



During this meeting IC Price+ users shared their experience of IC Price+ costing tool for a better understanding of the features.

It has been an opportunity to specify expected improvements of the tool and prepare the future upgrades.

We thank you for your support which has made this possible.

Be sure we will continue to improve our services.

to unsubscribe to this newsletter, [click here](#)